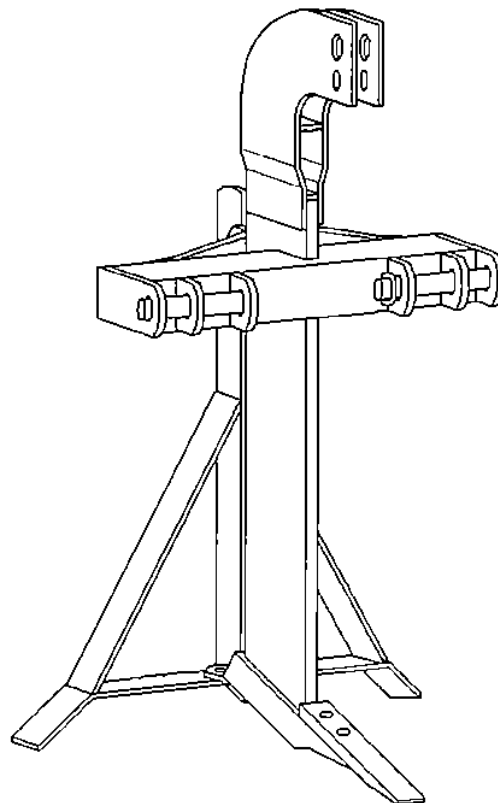




Taylor Pittsburgh Mfg., Inc.  
P.O. Box 1866  
Athens, TN 37371  
423-745-3110

# 1100 SERIES SUBSOILER



**OWNER'S MANUAL**

December 2013

## TABLE OF CONTENTS

WARRANTY.....	2
SAFETY PRECAUTIONS.....	3
DECAL LOCATIONS.....	4
INTRODUCTION.....	4
MODIFICATIONS.....	4
ASSEMBLY.....	4
MAINTENANCE.....	4
ATTACHING.....	5
STORAGE.....	5
COMPONENT PARTS.....	6

## **TO THE DEALER:**

The Subsoiler assembly and proper installation to the tractor is the responsibility of the TAYLOR PITTSBURGH dealer. Read manual instructions and safety rules. Make sure all items on the Pre-delivery and Delivery Check Lists are completed before releasing equipment to the owner.

## **TO THE OWNER:**

Read this manual before operating your TAYLOR PITTSBURGH Subsoiler. The information presented will prepare you to do a better and safer job. Keep this manual handy for ready reference. Require all operators to read this manual carefully and become acquainted with all the adjustment and operating procedures before attempting to operate. Replacement manuals can be obtained from your dealer or by call 1-423-745-3110, in the USA and CANADA only.

The Subsoiler you have purchased has been carefully engineered and manufactured to provide dependable and satisfactory use. Like all mechanical products, it will require cleaning and upkeep. Lubricate the unit as specified. Observe all safety information in this manual and safety decals on the Subsoiler and tractor.

For service, your authorized TAYLOR PITTSBURGH dealer has trained mechanics, genuine TAYLOR PITTSBURGH service parts, and the necessary tools and equipment to handle all your needs.

Provide your model number and serial number to your dealer to obtain correct repair parts.

## **LIMITED WARRANTY**

TAYLOR PITTSBURGH MFG., INC., the manufacturer, warrants only to the Original Purchaser that this equipment, under normal use and service, will be free from defects in material and workmanship for one (1) year from date of purchase providing this equipment is purchased for individual and not for commercial use. Warranty for commercial use is 90 days. This warranty does not apply to any equipment which has been damaged or which has been subjected to abuse, misuse, negligence, abnormal wear and tear, alterations, tampering, or failure to follow operating instructions. This warranty does not cover any product or parts not manufactured by Taylor Pittsburgh Mfg., inc.

Under this warranty, the manufacturer will repair or replace any part which the manufacturer determines has failed during the period of the warranty due to defects in material and workmanship. After approval by the manufacturer, the equipment or defective part must be returned to Taylor Pittsburgh Mfg., Inc., Athens, Tennessee 37371.

PURCHASER'S EXCLUSIVE REMEDY FOR BREACH OF WARRANTY, OTHER DEFECT, OR CONDUCT GIVING RISE TO LIABILITY SHALL BE THE REPAIR OR REPLACEMENT OF THE PRODUCT SOLD, AND THE MANUFACTURER UNDER NO CIRCUMSTANCES SHALL BE LIABLE FOR ECONOMIC LOSS OR INCIDENTAL OR CONSEQUENTIAL DAMAGES, THE MANUFACTURER DISCLAIMS ALL IMPLIED WARRANTIES, INCLUDING THE WARRANTY OF MERCHANTABILITY AND FITNESS FOR PURPOSE.

Taylor Pittsburgh Mfg., Inc., reserves the right to make improvements and changes in specifications without notice or obligation to modify previously sold units.

This manual describes the proper assembly procedures for your Subsoiler and furnishes operating and maintenance recommendations to help you obtain long and satisfactory service.



## SAFETY PRECAUTIONS

The safety of the operator is one of the main concerns in designing and developing a new piece of equipment. Designers build in as many safety features as possible. However, every year many accidents occur which could have been avoided by a few seconds of thought and a more careful approach to handling machinery. You the operator can avoid many accidents by observing the following precautions. To avoid personal injury, study the following precautions and insist that those working with you or for you follow them.

### Operating the Tractor/Equipment

1) Do not start the engine or operate controls while standing beside the tractor. Always sit in the tractor seat when starting the engine or operating controls.

2) Do not allow anyone, except the operator, on the tractor or the implement while the unit is being operated or transported.

3) Beware of bystanders while operating the unit.

4) Avoid hitting an obstruction, causing personal injury or excessive strain on the tractor or implement.

5) Keep hands and feet away from all moving parts.

6) Be sure to note all "pinch point" areas of the implement. They are indicated by "pinch point" decals.

7) Note all buried wiring, pipes and other obstructions prior to working an area.

8) Do not allow children to operate unit and be sure the operator has a thorough understanding of the implement and safety precautions to be followed.

9) Use an approved ROPS and seat belt for safe operation. Overtuning a tractor without a ROPS can result in death or injury. If your tractor is not equipped with a ROPS and seat belt, see your tractor equipment dealer.

10) Always use the seat belt when the ROPS is installed. Do not use the seat belt if the ROPS is not installed.

11) Do not operate the tractor engine in an enclosed building without adequate ventilation. Exhaust fumes can cause death.

12) Pull only from the swinging drawbar or the lower link drawbar in the down position. Use only a drawbar pin that locks in place. Pulling from the tractor rear axle or any point above the axle may cause the tractor to upset.

13) If the front end of the tractor tends to rise when heavy implements are attached to the three-point hitch, install front end or front wheel weights. Do not operate the tractor with a light front end.

14) Drive the tractor with care and at speeds compatible with safety, especially when operating over rough ground, crossing ditches or slopes, or when making turns to prevent overturning.

15) Use the flasher/turn signal lights and SMV emblem when traveling on public roads both day and night. Check local laws regarding transport on public roads.

16) Do not park tractor on a steep slope.

17) Do not get off tractor when it is in motion.

18) Before dismounting from the tractor seat, shut off tractor engine, lock tractor brakes, and lower the implement to the ground.

19) Do not leave equipment in the raised position.

### Maintenance

1) Keep shields in place at all times.

2) Keep safety decals clean and intact. Replace illegible or missing decals.

3) When working on the implement in the raised position, **BLOCK IT SECURELY**. Do not work under the implement when supported only by the tractor hydraulic system.

4) Do not smoke when refueling the tractor. Keep any type of open flame away. Wait for engine to cool before refueling.

5) Keep open flame away from battery or cold weather starting aids to prevent fires or explosions. Use jumper cables according to instructions to prevent sparks which could cause explosion.

6) Use caution when working around sharp objects such as discs, blades, tines, etc.

7) Do not modify equipment in any way. Modification will void the manufacturer warranty.

8) Do not bypass the safety start switch. Consult your dealer if your safety start controls malfunction.



## DECAL LOCATIONS

The following safety decals are located on your implement. Read them and follow their instructions for your safety. Keep all decals in place and legible. Replace worn or missing decals. Free replacement safety decals are available through your dealer. Order by number listed.



009537 center of main frame in front

## INTRODUCTION

This manual covers the assembly, operation, and maintenance of your Series 1100 Subsoiler. Studying and obeying these instructions will insure optimum product performance and longevity. Be sure to read all instructions carefully. Read all safety precautions prior to operation.

Maintain your implement with original repair parts to insure safety and optimum performance.

### MODIFICATIONS

It is the policy of the manufacturer to improve its products whenever possible and practical. We reserve the right to make changes, improvements, and modifications at any time without incurring the obligation to make such changes, improvements, and modifications on any implement sold previously.

## ASSEMBLY

### General

Your Series 1100 Subsoiler is shipped in bundles for assembly. Remove all wiring from bundles as they are called for. Choose a level area to arrange the parts conveniently. Assemble parts for each step loosely to insure fit. Use flatwashers with slotted holes. Always use lockwashers unless a lock nut is called for. Tighten hardware after parts are installed according to the torque chart given. Unless otherwise stated, all hardware is grade 5. The following assembly steps are given to minimize the need for adjustment after assembly. Remember that LEFT and RIGHT are determined by standing at the rear of the implement and facing it.

GRADE 8



GRADE 5



GRADE 2



### TORQUE IN FOOT POUNDS

BOLT DIA.	3/8	1/2	5/8	3/4	7/8	1
HEX HEAD	9/16	3/4	15/16	1-1/8	1-5/16	1-1/2
UNC						
2	18	45	89	160	252	320
5	30	68	140	240	360	544
8	40	100	196	340	528	792
UNF						
2	21	51	102	178	272	368
5	32	70	168	264	392	572
8	48	112	216	368	792	840

### TORQUE CHART

## MAINTENANCE

### Before Each Use

- 1) Check over entire implement for missing or worn parts. Make necessary repairs before going to the field.
- 2) Check to see that all hardware is in place and tight.

## **ATTACHING**

---

1) Align lower link arms of three point hitch with link pins on Subsoiler. Attach link arms and secure with click pins. Install top link between tractor and bracket on Subsoiler. Use a suitable pin to attach top link to Subsoiler and secure with click pin.

2) Adjust top link to desired position for maximum performance of Subsoiler.

## **STORAGE**

---

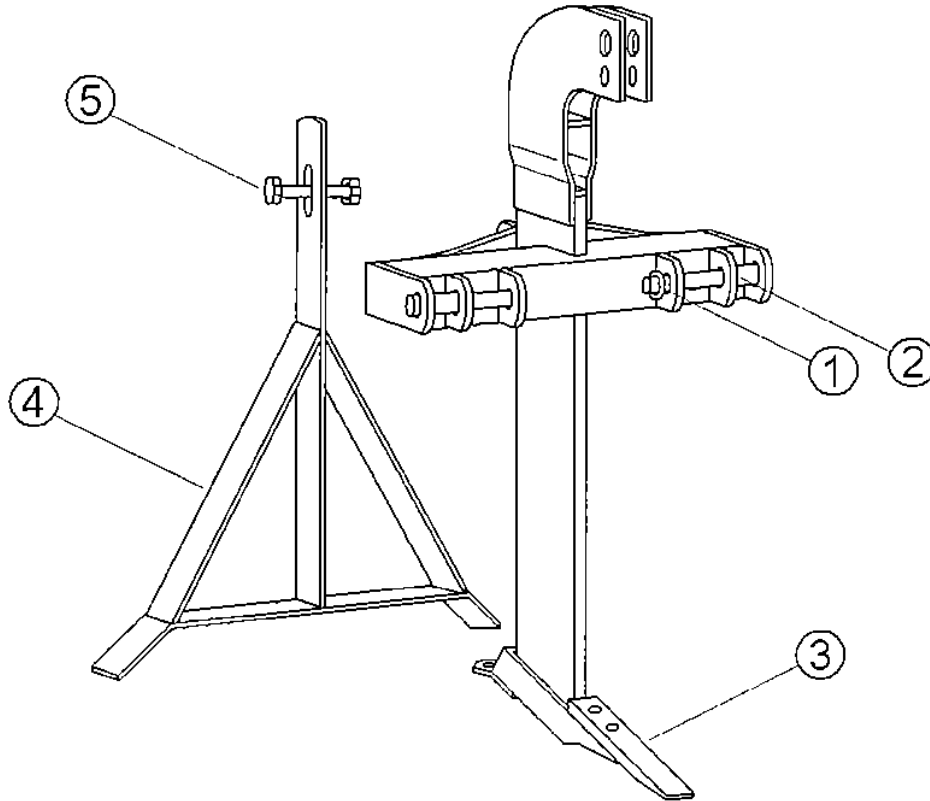
1) Store unit under shelter from weather.

2) For periods of long storage, coat point and other soil engaging surfaces with oil to prevent rusting.

3) Support with stand to relieve weight from Subsoiler.

4) Relieve pressure from hydraulic lift before disconnecting from tractor.

## Subsoiler Components



ITEM	PART #	DESCRIPTION	QTY
1	303113	Click Pin	2
2	815010	Stepped Pin	2
3	601453	Point W/Hdwe	1
4	100413	Parking Stand	1
5	303684	HHCS 5/8" X 5"	1
	304021	LOCKNUT 5/8"	1

